





„I have the simplest tastes, I am always satisfied with the best“ Oskar Wilde

content:

T2M2

Page 4

Touch PC von T2M2

Page 6

t2 Edition 2

Page 6

t2 Edition 3

Page 12

t2 Edition 4

Page 22

Specifications

Page 30



Das Unternehmen

Since 1992, T2M2 is dedicated to bring the fusion of mechanical and technical elements to perfection. From the first draft to the final step in production; Everything is manual work with a focus on the details.

With an eye for value we create for over 20 years technology that promises durability and superior quality features.

T2M2 – Touch PC with Industrie-Know-How – made in Germany



It is not so easy, even to convey the simplest thoughts with precision and in a concise manner.

Cyril Northcote Parkinson (1909-93), brit. Historiker u. Publizist



t2 Edition 2

t2 Edition 2

Edition 2 got everything a touch panel has to offer:

Precision-machined materials are combined with technology on an industrial level to a flush touch panel that allows with its resistive touch sensor operation of visualizations. Because of replaceable front panels there is the possibility for alternative design requirements at any given moment. Computer technology with industrial standard components and windows 7/8 will lead through simplicity to quick success and endless possibilities.



Basics of t2 Edition 2

EDITION 2:

- modern Design
- Windows 7/8
- Diagonals 15/17/19 Zoll
- Touchsensor : analog resistiv
- integrated speakers
- integrated microphone
- exchangeable inlay design
- Fanless computer
- in wall mounting
- USB, Reset on Front

t2 Edition 2



DESCRIPTION:

the Edition2 is available in three display sizes and uses proven technology in a new design. Through the USB port and the reset button (hidden) on the underside, it provides maximum comfort when setting up the device. The low power consumption is ensured by the use of LED displays, and ultra-low-voltage processors. Of course, everything is fanless.







t2 Edition 3

t2 Edition 3

Searching for the perfect fusion of glass and aluminium, we have created a touch panel which allows the user to feel design and to experience control. Fast I5-processor, SSD mass storage and a variety of connection possibilities constitute the multi-touch sensor – and thus, the home's media center. The Edition3 is more than a simple control unit, but represents an elegant object in the living-room, the kitchen, and the bathroom as well as in the foyer.



Basics of t2 Edition 3

EDITON 3:

- Aluminum-Glass combination
- Diagonals 10,2/15,6/21,5 Zoll
- Windows 7/8
- Touchsensor Projektiv kapazitiv (Multitouch)
- integrated speakers
- integrated microphone
- fanless computer
- in wall mounting
- safety feature
- mounting via click mechanism
- USB, Reset on Front



DESCRIPTION:

High-quality design of aluminum and glass. The new Touch-PC series t2 Edition3 focuses on timeless design and style combined with up-to-date touch-technology (dual- and multi-touch). Its surface is made of aluminum and glass to underline and showcase the quality and value of the superior technical features. Of course, this configuration includes ultra-low-voltage-processors. The same known features as Audio, Rest and USB (hidden) are available as with other models.





t2 Edition 3



t2 Edition 3



DESCRIPTION:

The new flagship of t2 Edition3 is the 21.5„version. The multi-touch interface allows you to operate with up to 16 fingers. The superior technical equipment leaves nothing to be desired. Whether it's watching TV in full HD, stream of cameras or operate extensive visualization goes. Naturally to an improved audio system with the performance of an average of 16 watts has also been paid. Here everything comes together what belongs together. A flush-mounted housing for wall installation is just as availfromle as a camera or remote control







t2 Edition 4

t2 Edition 4

Edition 4 is further intended mechanical diversity

A further step towards fromsolute flexibility is made by the freedom of this touch panel through its possibilities to mount it in as well as on the wall. The simple click mechanism ensures that it locks into the junction box or bonds firmly to the wall bracket. On the inside there is a powerful computer, speakers as well as microphones. Edition 4 is much more than just a controller for home automation. It's the headquarters for CCTV, door communication and media control in your entire home.

Each part - from the ground glass front, on sustainfromle electronics, to the refined steel hood - sets its own accents in the living room.



Basics of t2 Edition 4

EDITON 4:

- Glass front
- Diagonals 12,1 / 15,6 Zoll wide
- Window7/8
- integrated speakers
- integrated microphone
- Fanless computer
- Touchsensor Projektiv kapazitiv (Multitouch)
- On-flush mounting
- safety feature
- Mounting via click mechanism
- Reset on Front

t2 Edition 4



BESCHREIBUNG:

The Edition 4, which is available in screen sizes 12Zoll and 15.6 inches in wide format, and both flush-mounted as well as for surface mounting, continues the diversity of the touch panel of T2M2. The full-surface glass front with the latest multi-touch technology, highlights the modern style, and the ability to use in wet rooms and swimming pools highlights the flexibility of the product line. Of course, here all the requirements of modern, energy-conscious building automation is supported by the use of ultra low voltage processors with passive cooling and displays with LED backlight.





BESCHREIBUNG:

(t2 Edition4 PC156 in wall)



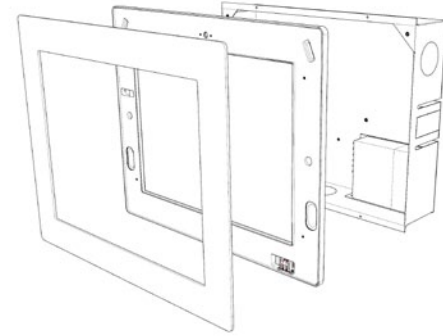
(t2 Edition4 PC156 in wall)





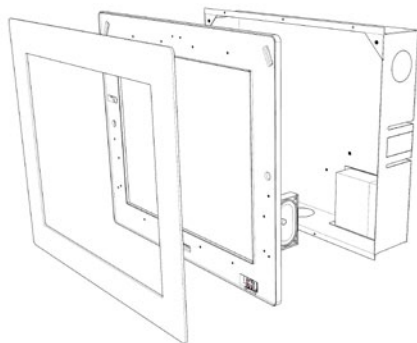


t2 Edition2



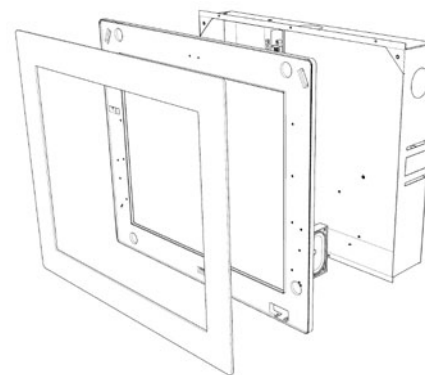
Edition2 PC/TD15

Display	15" TFT / 1024 x 768 LED
In wall housing	Cutting: 380mm x 293mm Depth: 80 mm
Front panel	Dimensions : 397,4mm x 321,3mm
Touchsensor /	Analog resistiv
Prozessor / RAM	from 1,2 GHz AMD Fusion 4GB
Mass storage	from 32GB SSD
Front panel connections	1xUSB, Reset
OS	Windows 7/8
Cooling	passiv
Speaker	Yes
Microphone	Yes
Power supply	110 - 240 VAC oder 12VDC
Operating temperature	0°C to +40°C
Norms	CE



T2 Edition2 PC/TD17

Display	17" TFT / 1280 x 1024 LED
UP-Gehäuse	Cutting: 433mm x 347mm Depth: 80 mm
Front panel	Dimensions: 430mm x 362 mm x 80mm
Touchsensor /	Analog resistiv
Prozessor / RAM	from 1,2 GHz AMD Fusion 4GB
Mass storage	from 32GB SSD
Anschlüsse Frontseitig	1xUSB, Reset
Betriebssystem	Windows 7/8
Cooling	passiv
Speaker	Yes
Microphone	Yes
Power supply	110 - 240 VAC oder 12VDC
Operating temperature	0°C to +40°C
Norms	CE

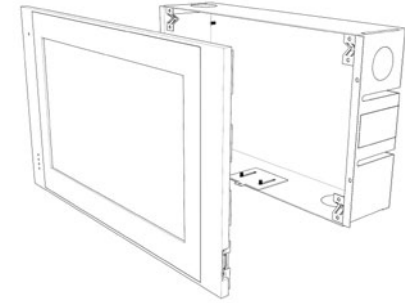


T2 Edition2 PC/TD19

Display	19" TFT / 1280 x 1024 LED
UP-Gehäuse	Cutting: 474mm x 381mm Depth: 80 mm
Front panel	Dimensions: 481mm x 406mm x 80mm
Touchsensor	Analog resistiv
Prozessor / RAM	from 1,2 GHz AMD Fusion 4GB
Mass storage	from 32GB SSD
Anschlüsse Frontseitig	1xUSB, Reset
Betriebssystem	Windows 7/8
Cooling	passiv
Speaker	Yes
Microphone	Yes
Power supply	110 - 240 VAC oder 12VDC
Operating temperature	0°C to +40°C
Norms	CE

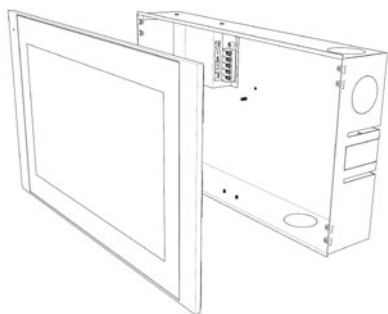


t2 Edition3



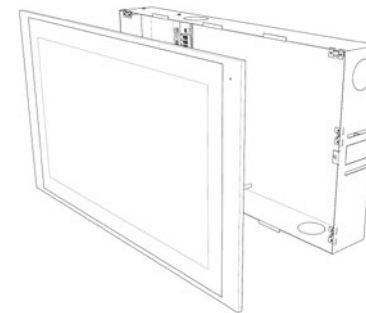
Edition3 PC102

Display	10,2" TFT / 1024 x 600 LED
UP-Gehäuse	Cutting: 278mm x 176mm Depth: 80 mm
Front panel	Dimensions: 310mm x 186mm
Touchsensor	Projectiv Kapazitiv
Prozessor / RAM	from 2x 1GHz AMD Fusion 2GB
Mass storage	from 32GB SSD
Anschlüsse Frontseitig	1xUSB, Reset
Betriebssystem	Windows 7
Cooling	passiv
Speaker	Yes
Microphone	Yes
Power supply	24VDC
Operating temperature	0°C to +40°C
Norms	CE



Edition3 PC156

Display	15,6" TFT-LCD im Widescreen
UP-Gehäuse	Cutting: 455mm x 253mm Depth: 80 mm
Front panel	Dimensions: 462mm x 272mm
Touchsensor	Projectiv Kapazitiv
Prozessor / RAM	from 2x 1GHz AMD Fusion 2GB
Mass storage	from 32GB SSD
Anschlüsse Frontseitig	1xUSB, Reset
Betriebssystem	Windows 7
Cooling	passiv
Speaker	Yes
Microphone	Yes
Power supply	230VAC
Operating temperature	0°C to +40°C
Norms	CE

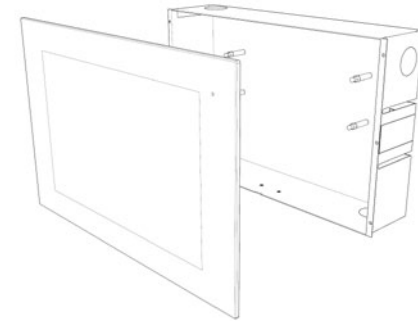


Edition3 PC215

Display	21,6" TFT / 1920 x 1080 Full HD
UP-Gehäuse	Cutting: 589mm x 324mm Depth: 80 mm
Front panel	Dimensions: 595mm x 340mm
Touchsensor	Projectiv Kapazitiv
Prozessor / RAM	from 2x1,6 GHz AMD Fusion 4GB
Mass storage	from 60GB SSD
Anschlüsse Frontseitig	1xUSB, Reset
Betriebssystem	Windows 7
Cooling	passiv
Speaker	Yes
Microphone	Yes
Power supply	230VAC
Operating temperature	0°C to +40°C
Norms	CE

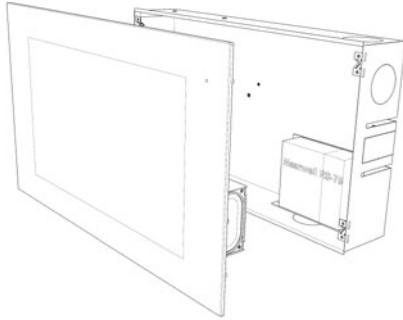


t2 Edition4



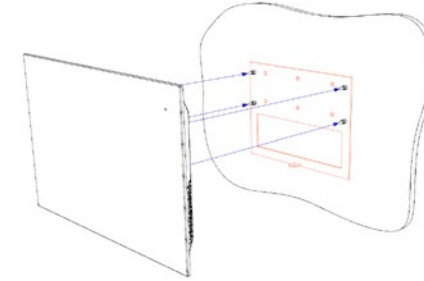
Edition4 PC121

Display	12,1" TFT / 1280x800px LED
UP-Gehäuse	Cutting: 339x212mm Depth: 80 mm
Front panel	Dimensions: 350x228mm
Touchsensor	Projectiv Kapazitiv
Prozessor / RAM	from 2x 1GHz AMD Fusion 2GB
Anschlüsse Frontseitig	Reset
Betriebssystem	Windows 7/8
Cooling	passiv
Speaker	Yes
Microphone	Yes
Power supply	24VDC
Operating temperature	0°C to +40°C
Norms	CE



Edition4 PC156

Display	15,6" TFT-LCD im Widescreen
UP-Gehäuse	Cutting: 455mm x 253mm Depth: 80 mm
Front panel	Dimensions: 472mm x 277mm
Touchsensor	Projectiv Kapazitiv
Prozessor / RAM	from 2x 1GHz AMD Fusion 2GB
Anschlüsse Frontseitig	Reset
Betriebssystem	Windows 7/8
Cooling	passiv
Speaker	Yes
Microphone	Yes
Power supply	230VAC
Operating temperature	0°C to +40°C
Norms	CE



Edition4 Aufputz

Display	15,6" /12,1 Zoll
Depth:	???
Front panel	like: PC121/PC156
Touchsensor	Projectiv Kapazitiv
Prozessor / RAM	from 1,6 GHz Atom 2GB
Anschlüsse Frontseitig	Reset
Betriebssystem	Windows 7/8
Cooling	passiv
Speaker	Yes
Microphone	Yes
Power supply	230VAC/12VDC
Operating temperature	0°C to +40°C
Norms	CE

Artwork by:

© Photographee.eu - Fotolia.com

© 3darcstudio - Fotolia.com

© Photographee.eu - Fotolia.com

© TravelPhotography - Fotolia.com

© XtravaganT - Fotolia.com

© PlusONE - shutterstock.com

© pics721 - shutterstock.com

© ariadna de raadt - shutterstock.com

© photobank.ch - shutterstock.com



T2M2 - Gesellschaft für Automation und
Engineering mbH

Grünbergerstrasse 140
35394 Giessen
Germany

info@t2m2.de
www.t2m2.de

Tel.: +4964196221-0